



SERVING THE FOOD INDUSTRY SINCE 1951

## Adjustable Gravity Feed Roller Shelf

Item:	81212 81249	81213 81250	81245 81251	81246 81252	81247 81253	81248 81254
-------	----------------	----------------	----------------	----------------	----------------	----------------



### Smooth, Simple, Easy to Install

Designed for angled shelves that automatically roll bottles and cans forward, your drinks stay neatly organized and always easy to grab. Perfect for convenience stores, cafes, and supermarkets.

When using on shelves with non-tiltable shelves, riser kits are required for gravity feed. When installed in shelves with adjustable rear height, riser kits are not necessary. Please see compatible fridges and riser kits on next page.

- Smooth rollers, gravity feed
- Customizable divider placements
- Clear acrylic barrier
- Many available sizes

Telephone: 1-800-465-0234

Fax: (905) 607-0234

Email: sales@omcan.com

Website: www.omcan.com



Authorized Dealer

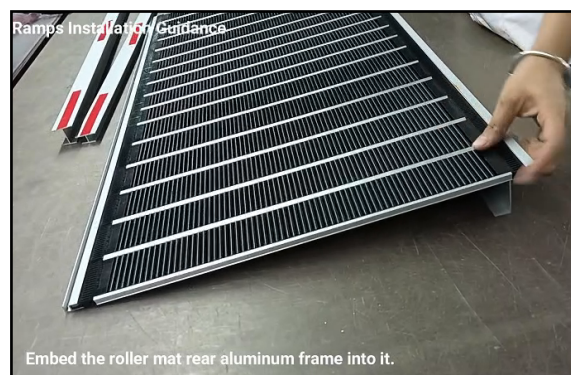
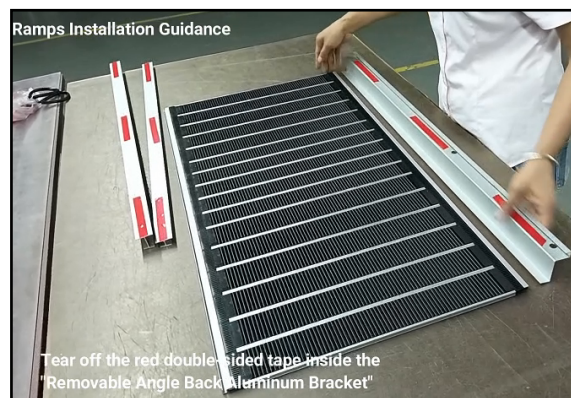
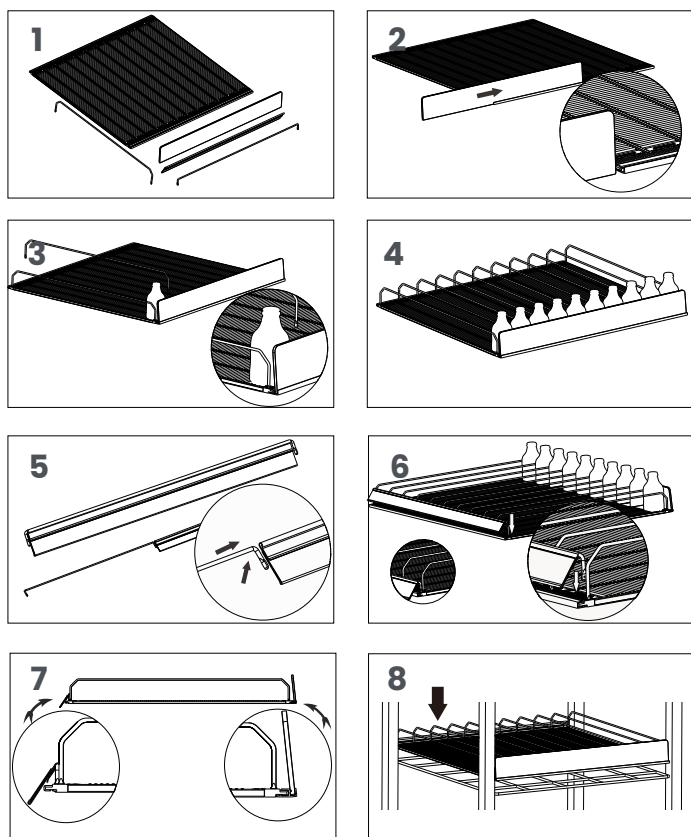


Made in China

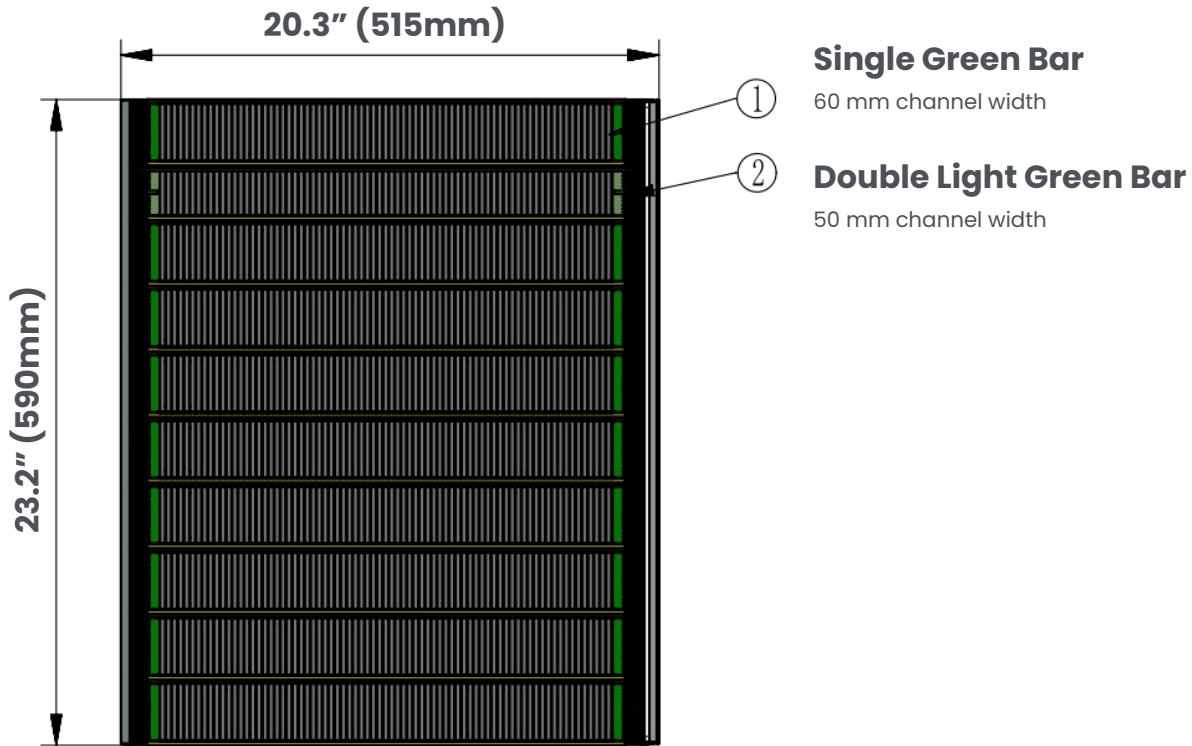
## TECHNICAL SPECIFICATION

Item	Dimensions	Included Dividers	Compatible Omcan Refrigeration Units	Required Riser Kit for Gravity Feed (For units where rear of shelf can't be raised)
81212	23.2" x 20.3" (590mm x 515mm)	9	50032	81259
81213	23.6" x 16.9" (600mm x 430mm)	9	50060	81262
81245	23.6" x 21.3" (600mm x 540mm)	9	51024, 51026, 51028	81259
81246	17.7" x 17.5" (450mm x 445mm)	7	50058	81260
81247	18.9" x 17.5" (480mm x 445mm)	7	50062	81260
81248	17.7" x 13.0" (450mm x 330mm)	7	50033	81263
81249	20.9" x 15.0" (530mm x 380mm)	8	50035	81264
81250	23.6" x 22.2" (600mm x 565mm)	9	50036, 52032	81259
81251	15.0" x 20.5" (380mm x 520mm)	6	50126, 50127	81261
81252	23.6" x 20.1" (600mm x 510mm)	9	50052	81259
81253	23.6" x 18.1" (600mm x 460mm)	9	50123, 50124	81259
81254	23.6" x 20.9" (600mm x 530mm)	9	50125	81259

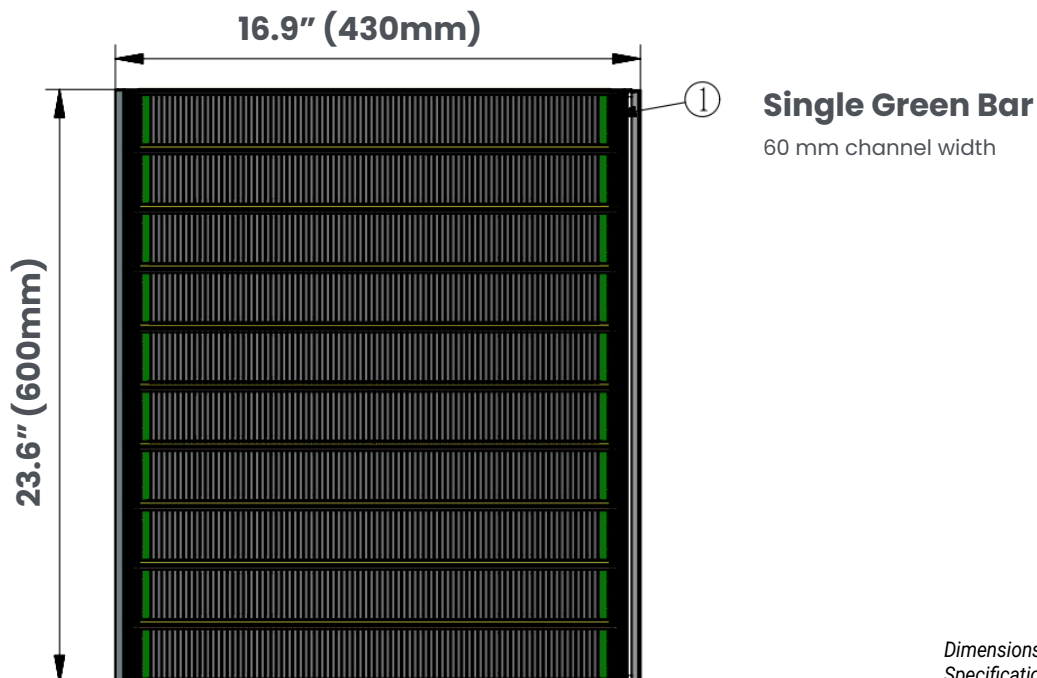
Dimensions rounded up to the nearest tenth inch or millimeter. Specifications subject to change without notice.



## Configuration- 81212

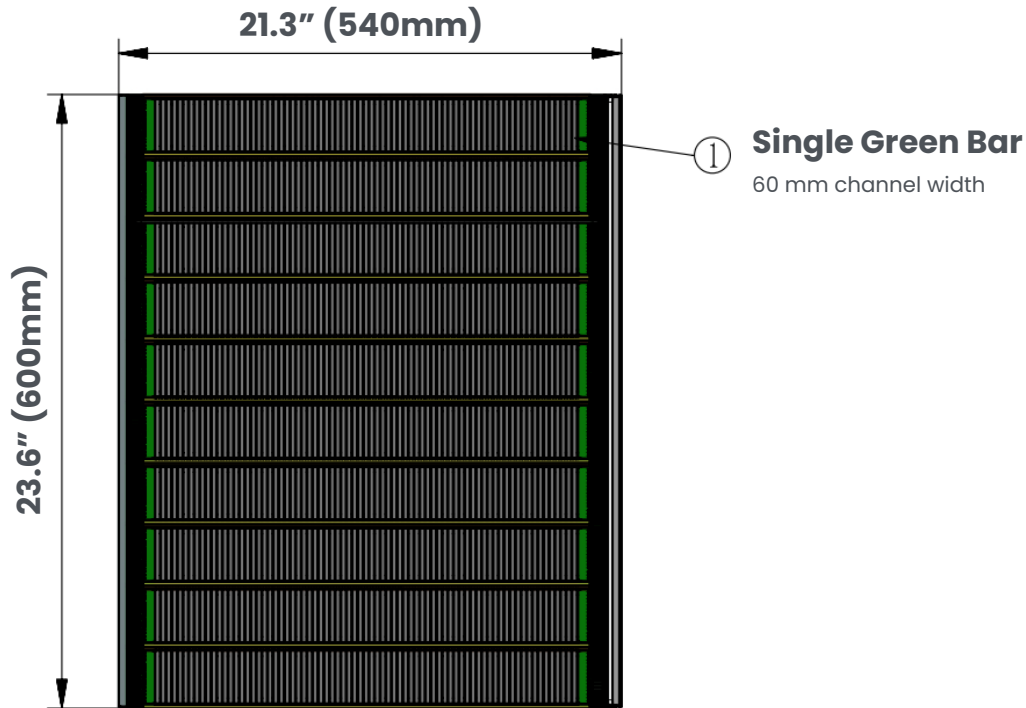


## Configuration- 81213

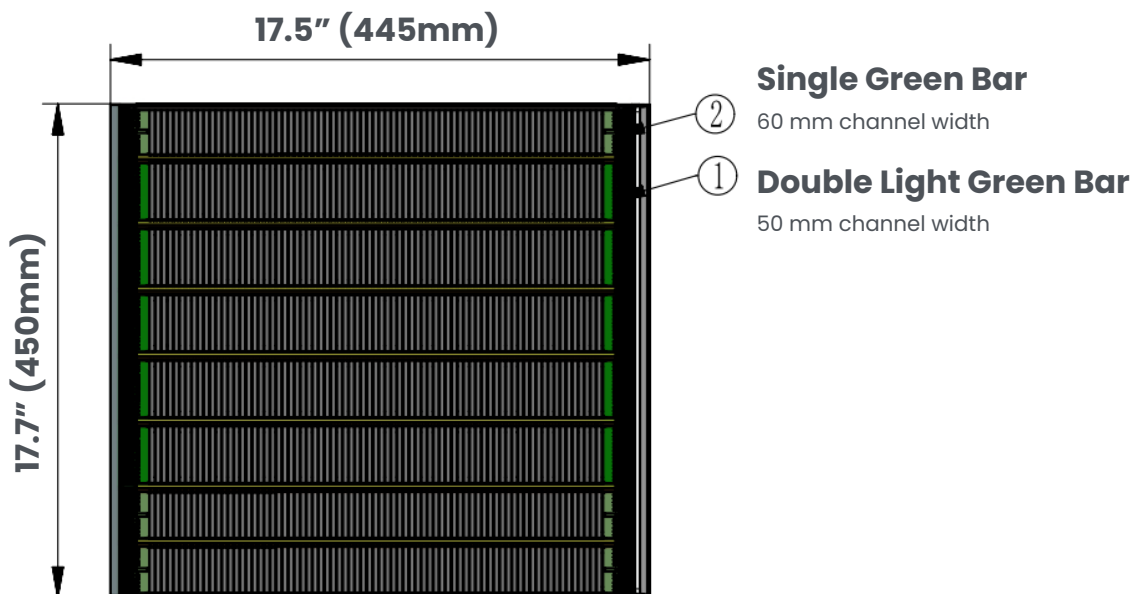


*Dimensions rounded up to the nearest tenth inch or millimeter.  
Specifications subject to change without notice.*

## Configuration- 81245

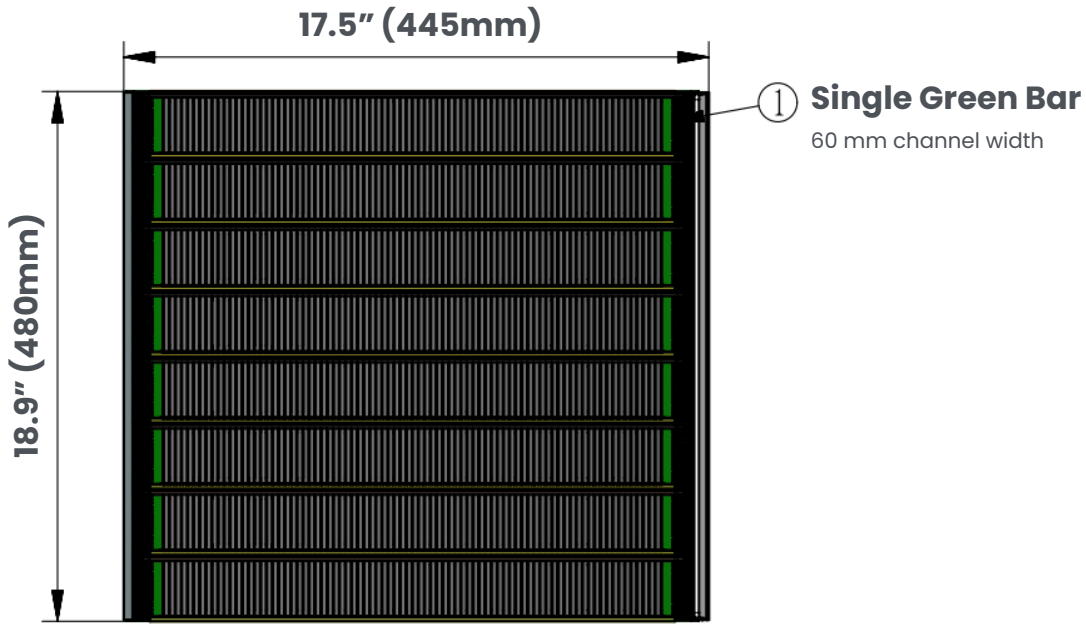


## Configuration- 81246

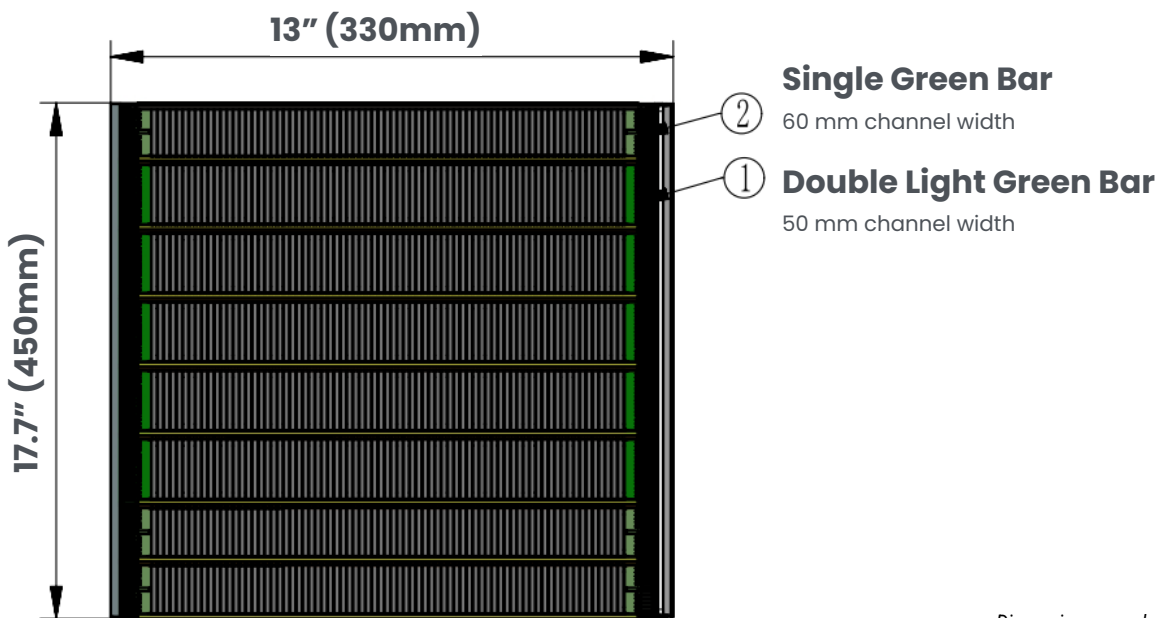


*Dimensions rounded up to the nearest tenth inch or millimeter.  
Specifications subject to change without notice.*

## Configuration- 81247

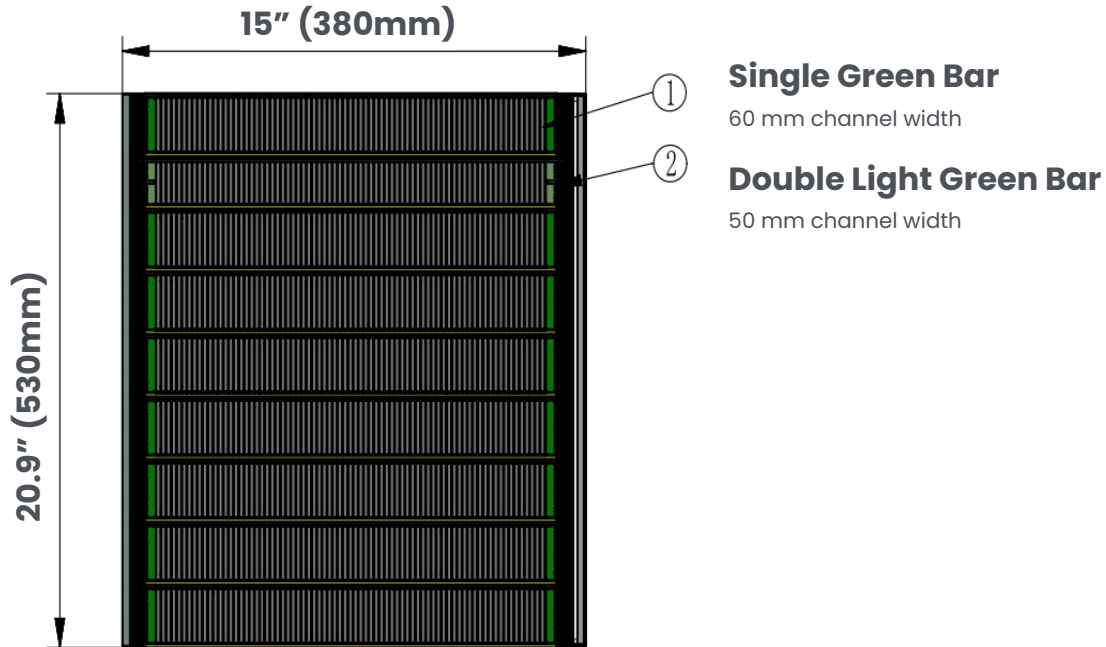


## Configuration- 81248

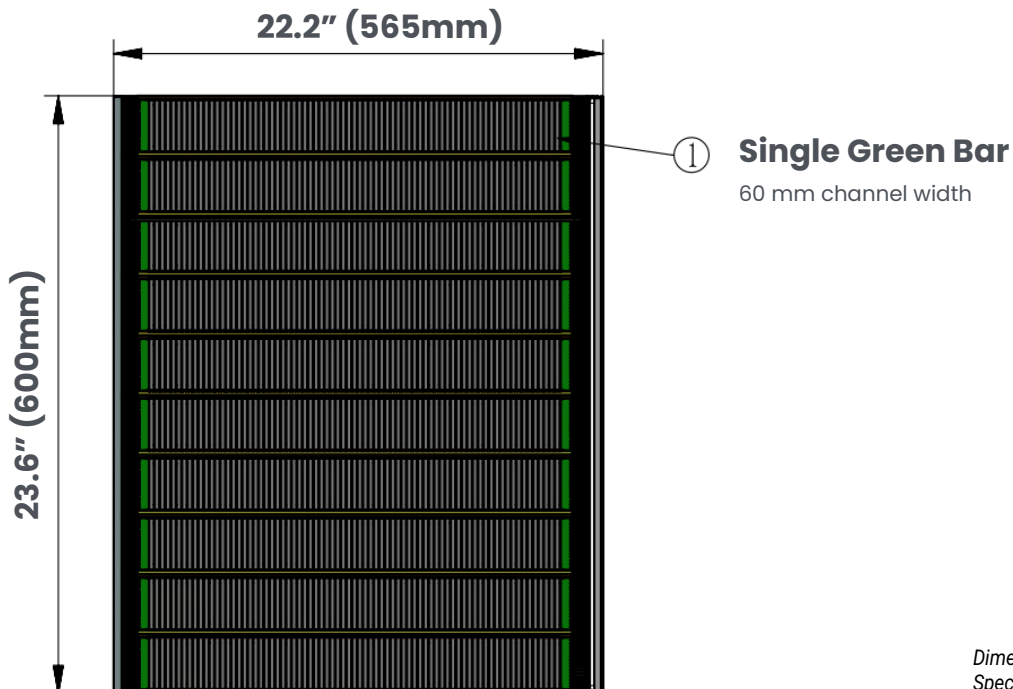


*Dimensions rounded up to the nearest tenth inch or millimeter.  
Specifications subject to change without notice.*

## Configuration- 81249

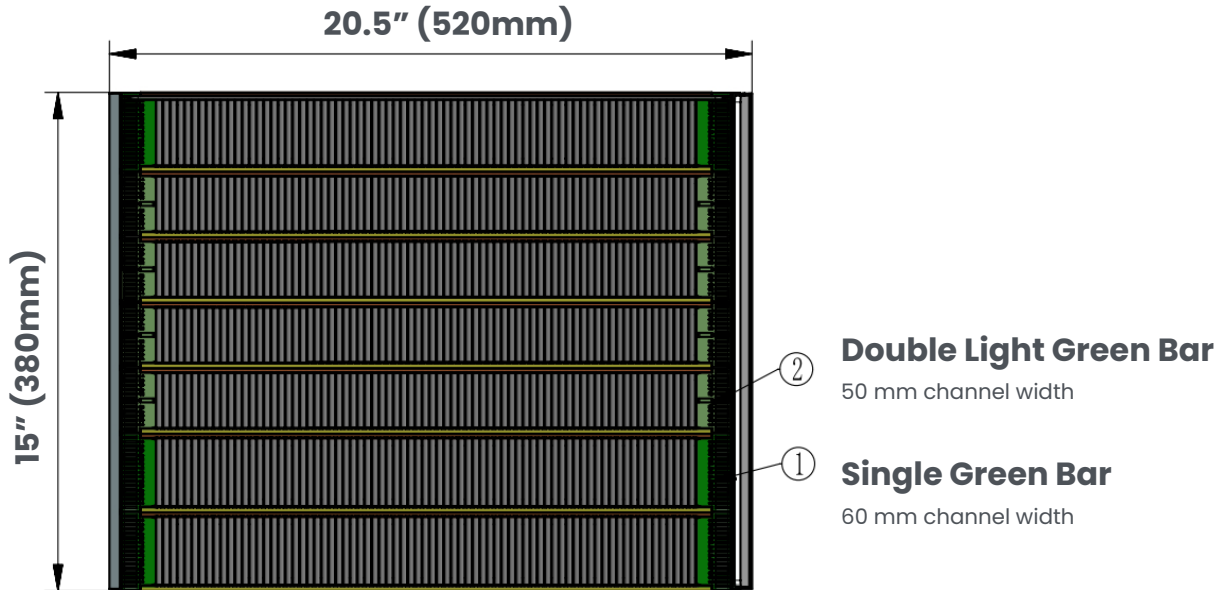


## Configuration- 81250

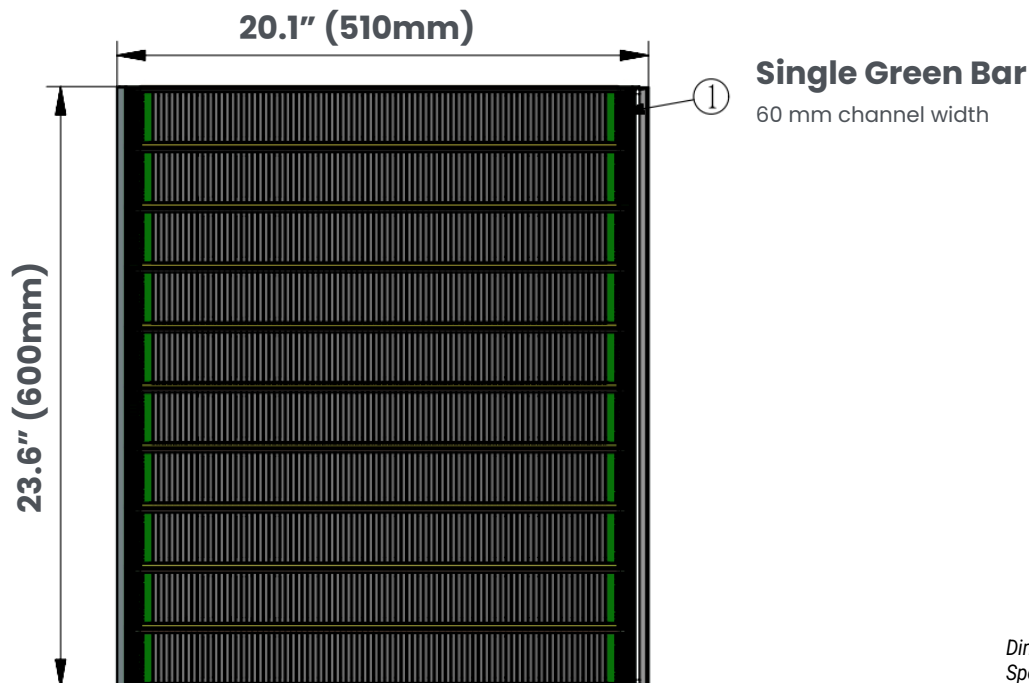


*Dimensions rounded up to the nearest tenth inch or millimeter.  
Specifications subject to change without notice.*

## Configuration- 81251

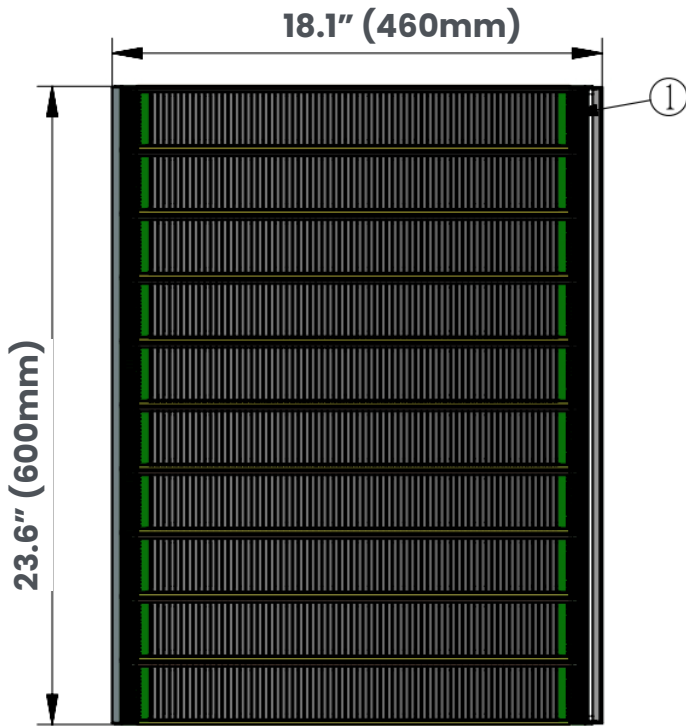


## Configuration- 81252



*Dimensions rounded up to the nearest tenth inch or millimeter.  
Specifications subject to change without notice.*

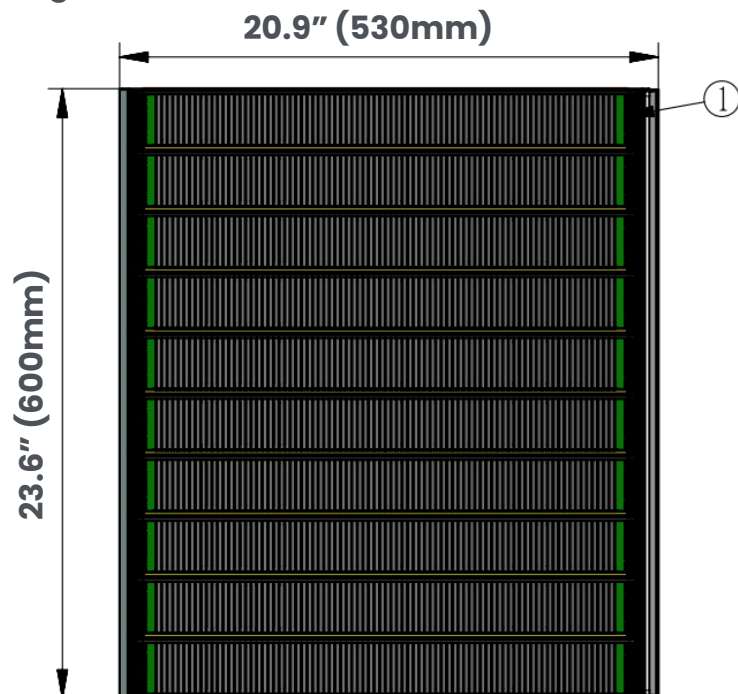
## Configuration- 81253



### **Single Green Bar**

60 mm channel width

## Configuration- 81254



### **Single Green Bar**

60 mm channel width

*Dimensions rounded up to the nearest tenth inch or millimeter.  
Specifications subject to change without notice.*